

OPERA H25 GUN METAL



Kitchen Sinks

Code: N625 F06



DETAILS

Coloring Gun Metal

Edge/Installation Type Rim h25 mm

Material AISI 304 stainless steel

Texture Brushed in line

Base 90 cm

Dimensions 880 x 518 mm

Standard fittings Fixing hooks, gasket, drain, overflow and siphon, boxed packing

Mixer holes 2 standard holes - 3rd hole on request

Built-in hole View technical data sheet

Drainer No

Number of bowls 1 bowl

Waste fitting 3,5" drain

EQUIPMENT

1 x Space Push automatic waste fitting 8407 121

FEATURES

Deep bowls This bowls reach an important depth, over 20 cm, thanks to the advanced production technology, that can be offer great capieny and practicity in all the washing operations.

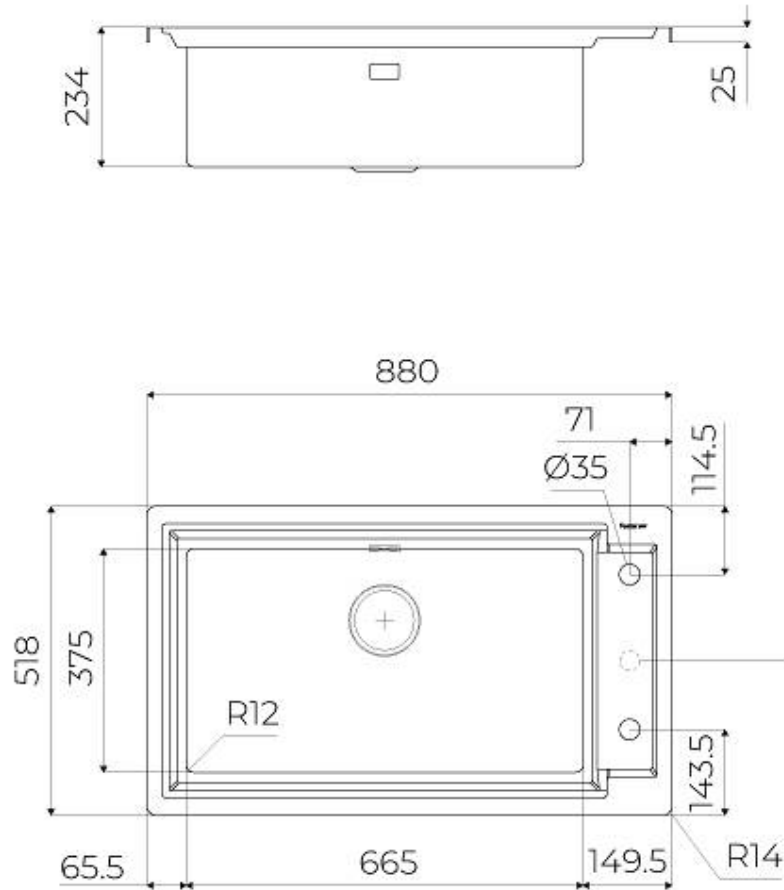
High thickness 1mm thick steel. A significant thickness, which guarantees the maximum sturdiness and durability.

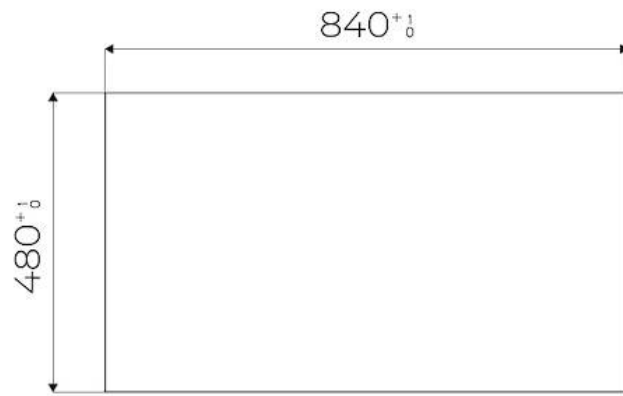
Perimetral overflow The overflow is always a security on the Foster sinks that prevents the overflow of water in case of oversights. The perimeter drain solution improves aesthetics thanks to its square and essential shape.

Small radius Bowls with squared shapes with a modern design and an increased capacity, for a minimal aesthetics connected with an extreme practicity.

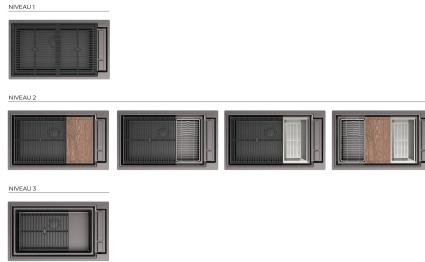
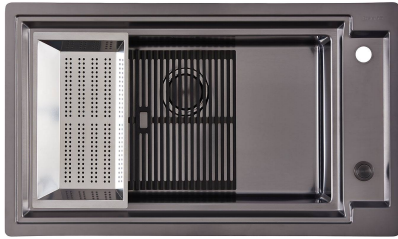
Space waste fitting The elegant SPACE steel cap closes the drain and leaves no visible residues collected in the basket below. Space also has a small footprint and allows the optimal use of the under-sink compartment.

TECHNICAL DATA





GALLERY



EQUIPMENT



**GRILLE NOIRE POUR EVIERS
OPERA**
A100 E06



**GRILLE NOIRE POUR EVIERS
OPERA**
A100 E07



VIDAGE FADE PUSH GUN METAL
A407 A20